

PRODUCT TECHNICAL SHEET

Collection : **PILE & FACE**

Ref. : **1002.--.95**

Robinet double service

Dubbele dienstkraan

Double service tap

Picture

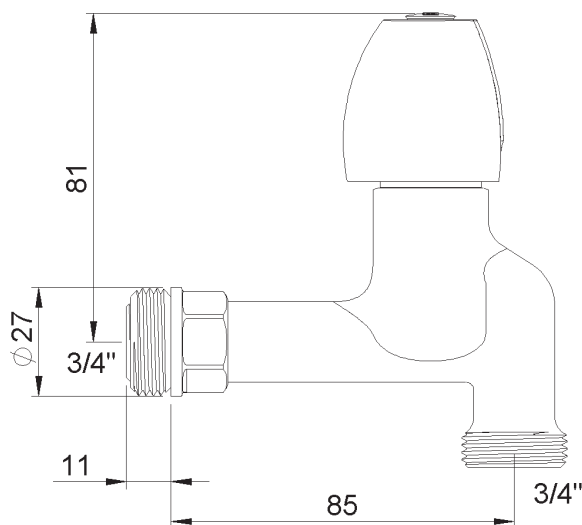
Product details

Weight : 0,7 kg



Internal mechanism : 1/3 turn compression valve

Technical drawing



RA0.V01